



# INSTALLATION INSTRUCTIONS

Accessory  
**FOG LIGHTS**

Application  
**2015 ODYSSEY**

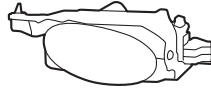
Publications No.  
**VERSION 1**

Issue Date  
**JULY 2014**

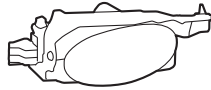
## PARTS LIST

**Fog Light Kit**  
**P/N 08V31-TK8-100A**

Left fog light



Right fog light



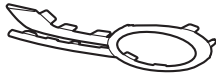
Left fog light cover



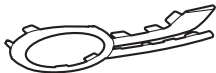
Right fog light cover



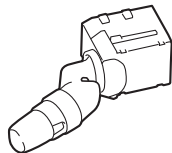
Left fog light garnish



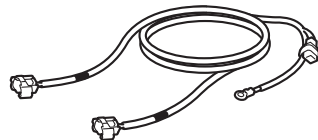
Right fog light garnish



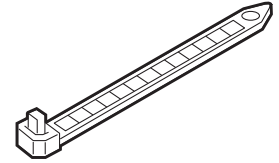
Light switch  
(With "Auto Light" function.)



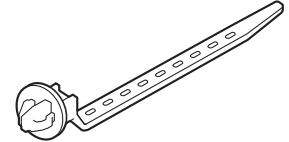
Fog light harness



16 Wire ties  
(Some may not be used)



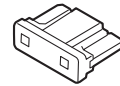
2 Wire ties with clip  
(Some may not be used)



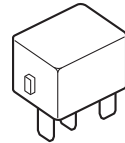
2 Washer-bolts, 5 x 16 mm



20 A Fuse

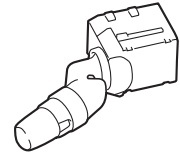


Relay



**Light Switch Kit**  
**P/N 08V38-TA0-100**

Light switch  
(Without "Auto Light" function.)



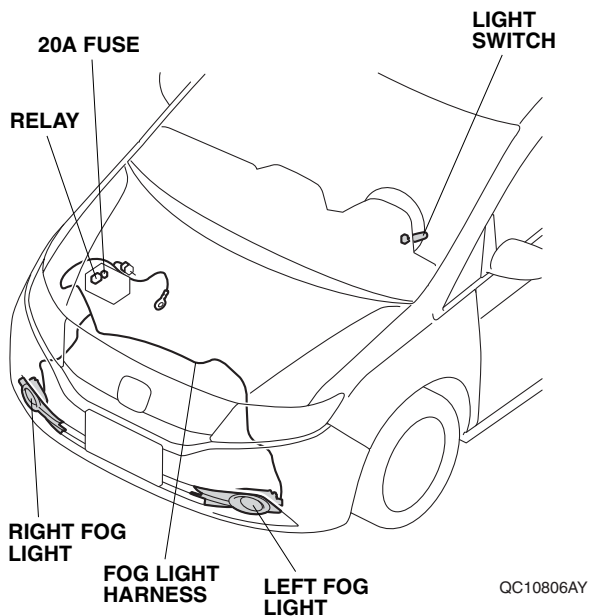
## TOOLS AND SUPPLIES REQUIRED

Flat-tip screwdriver  
Phillips screwdriver  
Ratchet  
10 mm Socket  
10 mm Open end wrench  
Diagonal cutters  
Masking tape  
Blanket

The following tool is available through the Honda Tool and Equipment Program. On the iN, click on: Service > Service Bay > Tool and Equipment Program, then enter the number under "Search." Or, call 888-424-6857.

- Trim Tool Set (T/N SOJATP2014)

## Illustration of the Fog Lights Installed on the Vehicle

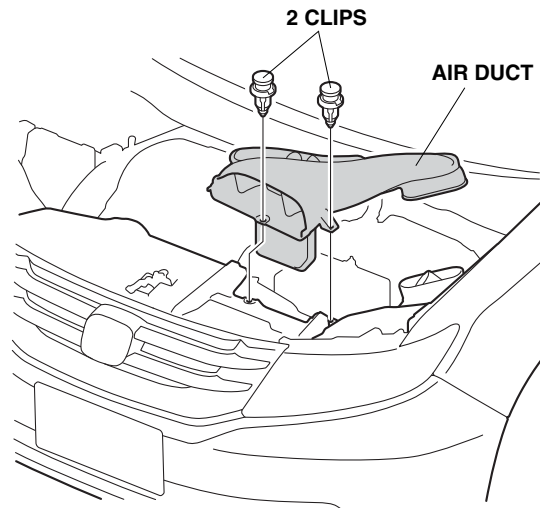


## INSTALLATION

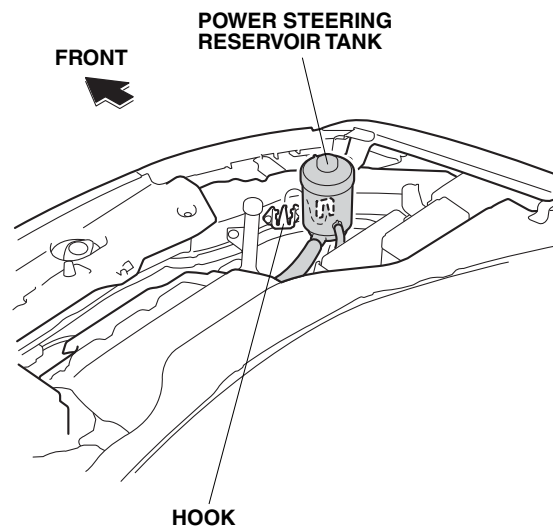
**Customer Information:** The information in this installation instruction is intended for use only by skilled technicians who have the proper tools, equipment, and training to correctly and safely add equipment to your vehicle. These procedures should not be attempted by "do-it-yourselfers."

## Removing the Vehicle Parts (outside)

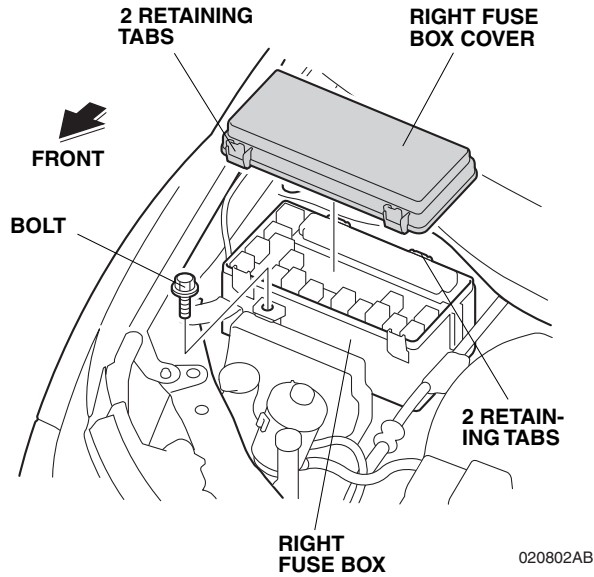
1. Open the hood and remove the air duct (two clips).



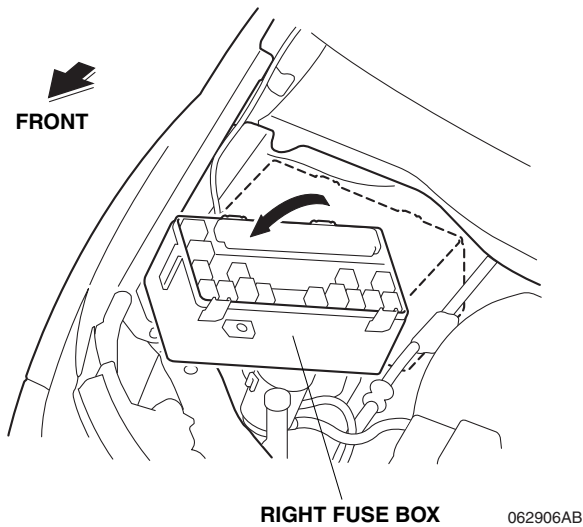
2. Disconnect the negative cable from the battery.
3. Release the power steering reservoir tank (one hook).



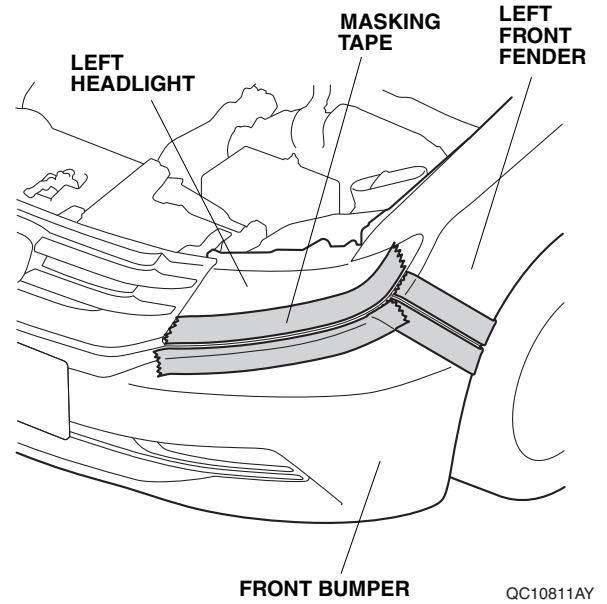
4. Remove the right fuse box cover (two retaining tabs).



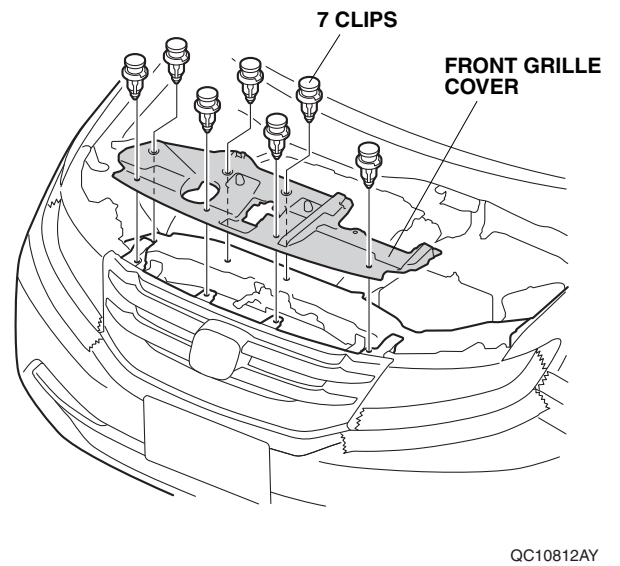
5. Release the right fuse box (one bolt and two retaining tabs).  
6. Move the right fuse box out of the way.



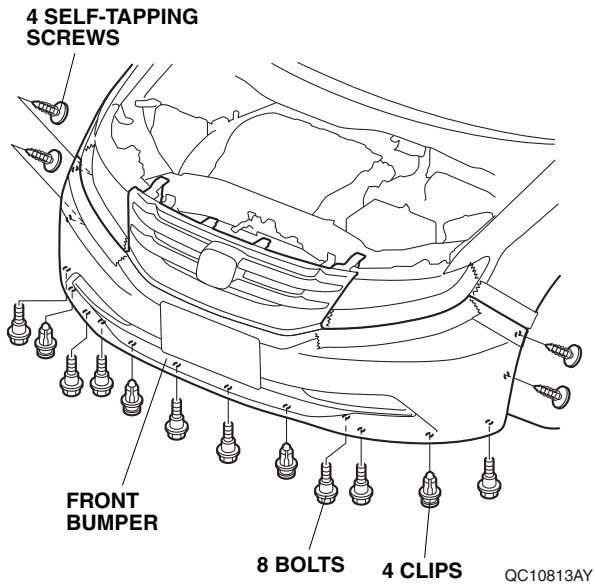
7. Attach the masking tape to the vehicle for protection.



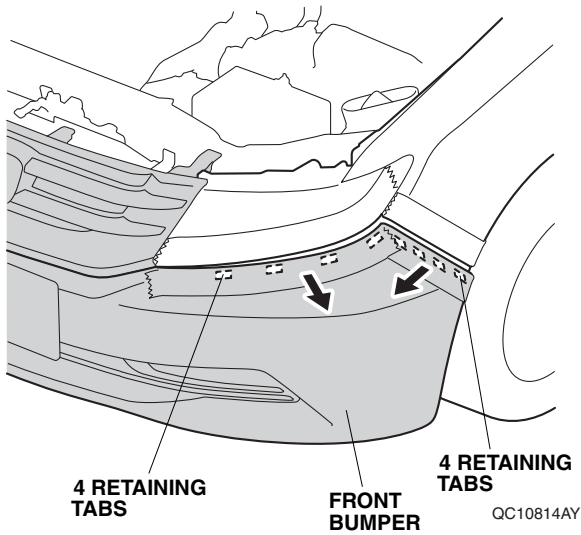
8. Repeat the same procedure on the right side of the vehicle.  
9. Remove the front grille cover (seven clips).



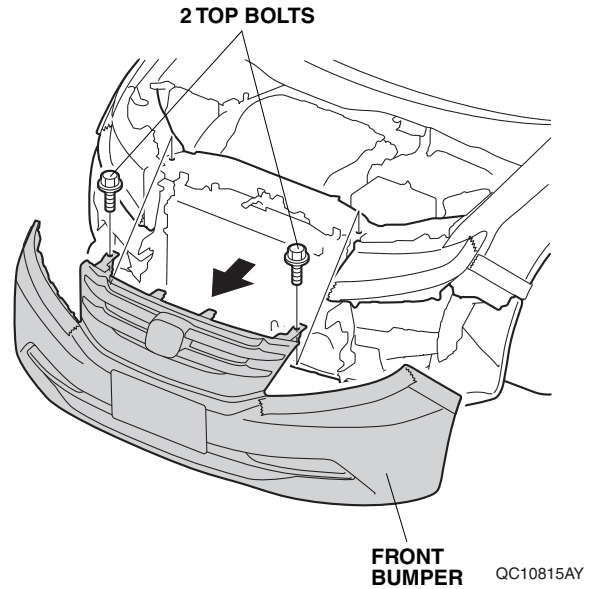
10. Remove the front bumper.
  - Remove four self-tapping screws, eight bolts and four clips from the front bumper.



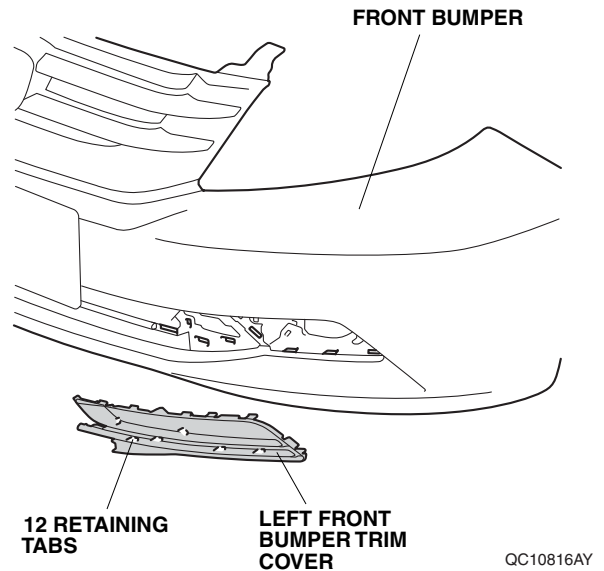
- On each side, release eight retaining tabs from the front bumper.



- Remove two top bolts from the front bumper. With the help of an assistant, remove the front bumper.
- Place the front bumper on a blanket.



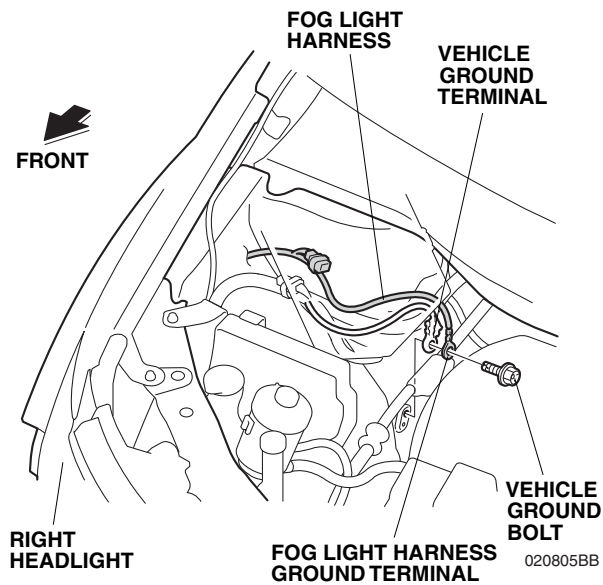
11. Remove the left front bumper trim cover (twelve retaining tabs).



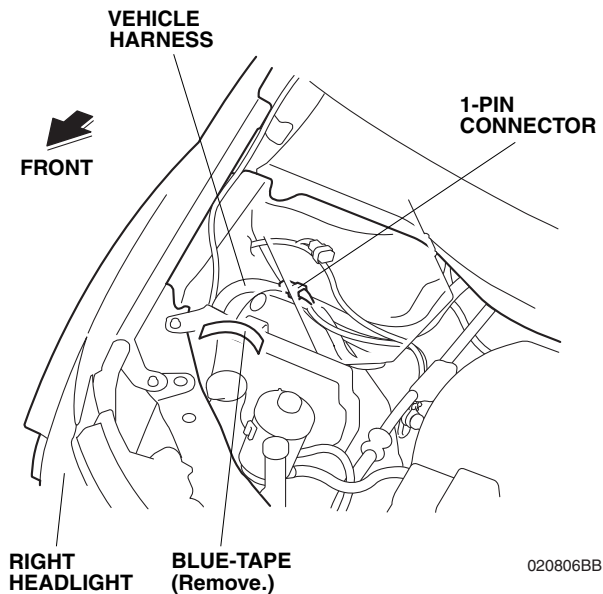
12. Repeat the same procedure on the right side of the vehicle.

## Routing the Fog Light Harness

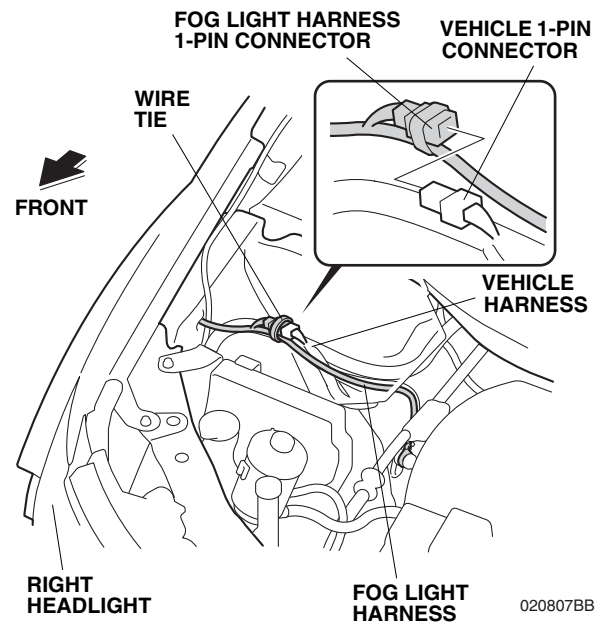
- Remove the vehicle ground bolt, and secure the fog light harness ground terminal to the vehicle ground terminal with the vehicle ground bolt just removed.



- Locate the 1-pin connector blue-taped to the vehicle harness. Remove the blue-tape to release the 1-pin connector.

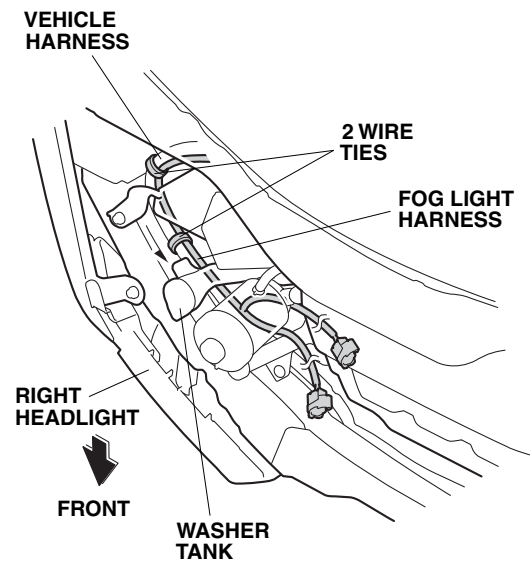


- Plug the fog light harness 1-pin connector to the vehicle 1-pin connector.

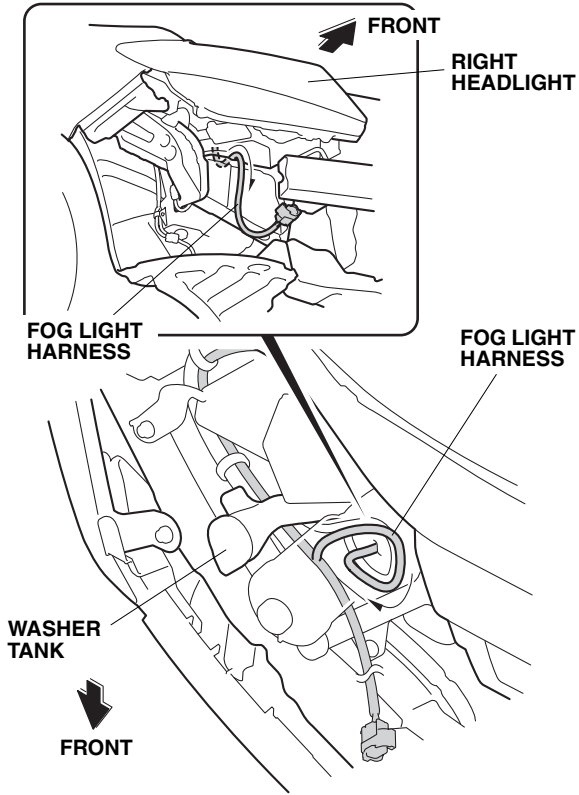


- Secure the fog light harness and 1-pin connectors to the vehicle harness with one wire tie.

- Route the fog light harness forward as shown, and secure it to the vehicle harness with two wire ties.

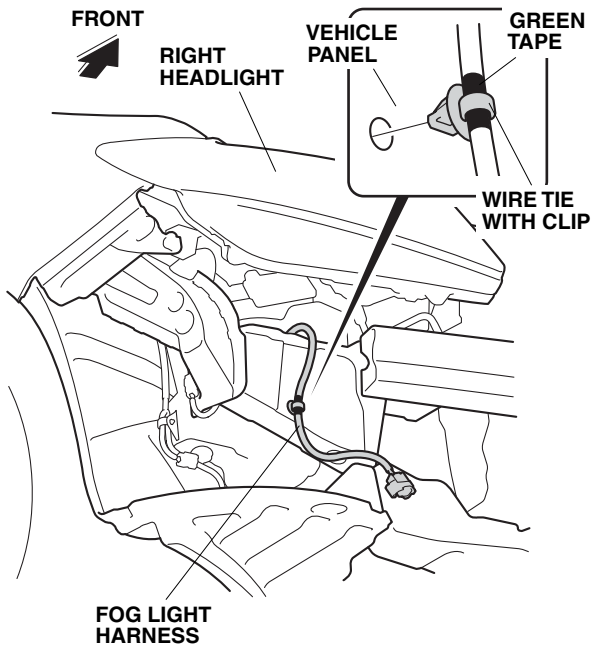


18. Route the fog light harness as shown.



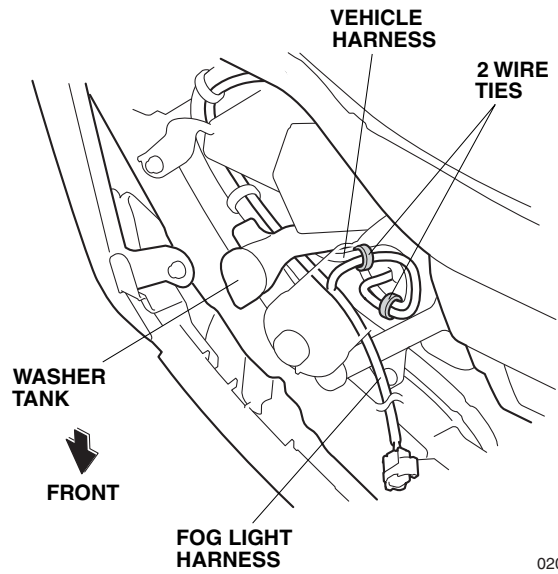
020902BB

19. Secure the green tape on the fog light harness to the vehicle panel with one wire tie with clip.



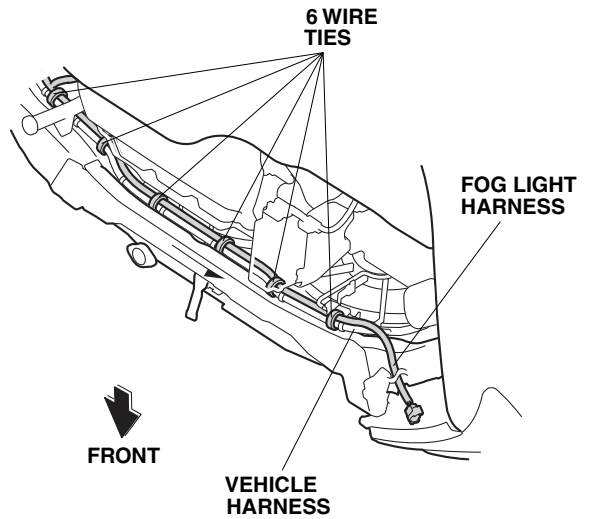
050801AB

20. Secure the fog light harness to the vehicle harness with two wire ties.



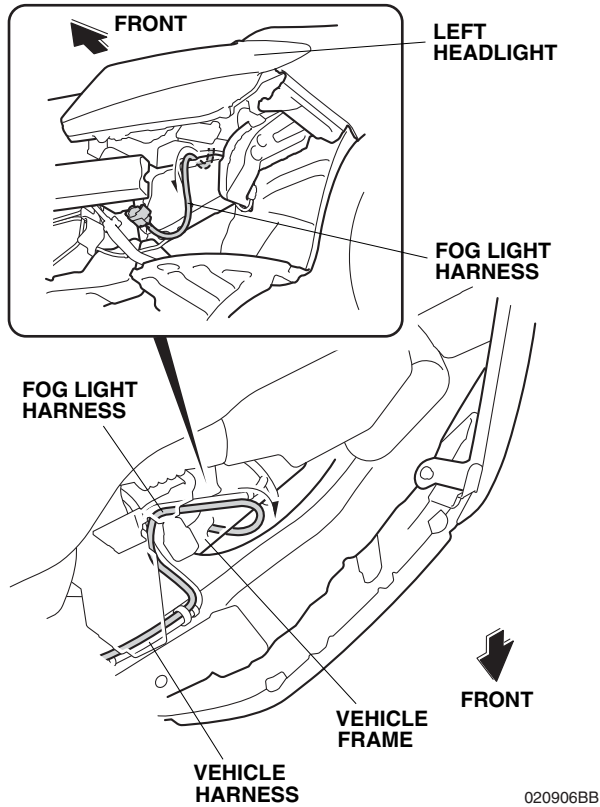
020904BB

21. Route the fog light harness along the vehicle harness, and secure it to the vehicle harness with six wire ties.



020905BB

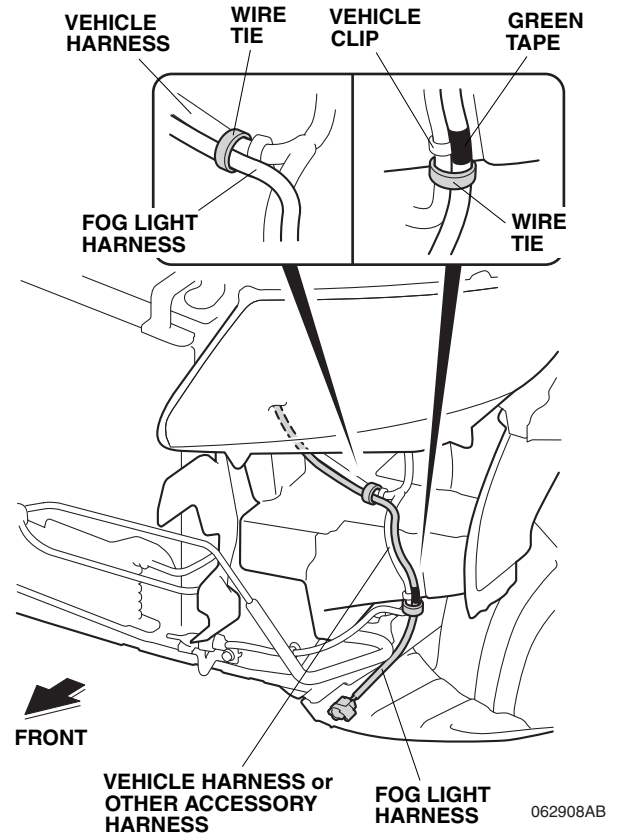
22. Route the fog light harness as shown.



If the vehicle is equipped with the vehicle harness or other accessory harness, go to step 23; if not, go to step 25.

With vehicle harness or other accessory harness

23. Align the green tape on the fog light harness to the vehicle clip, and secure the fog light harness to the vehicle harness or other accessory harness with one wire tie.

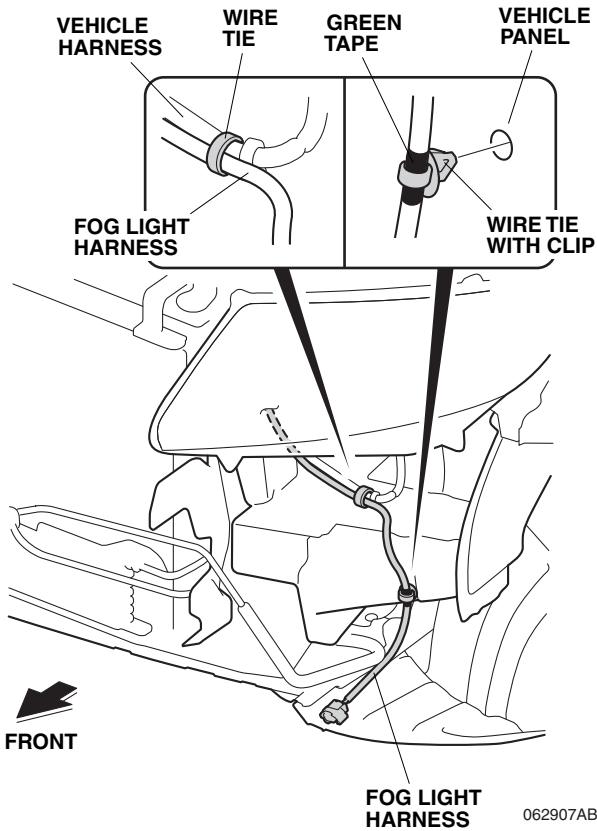


24. Secure the fog light harness to the vehicle harness with one wire tie. Go to step 27.



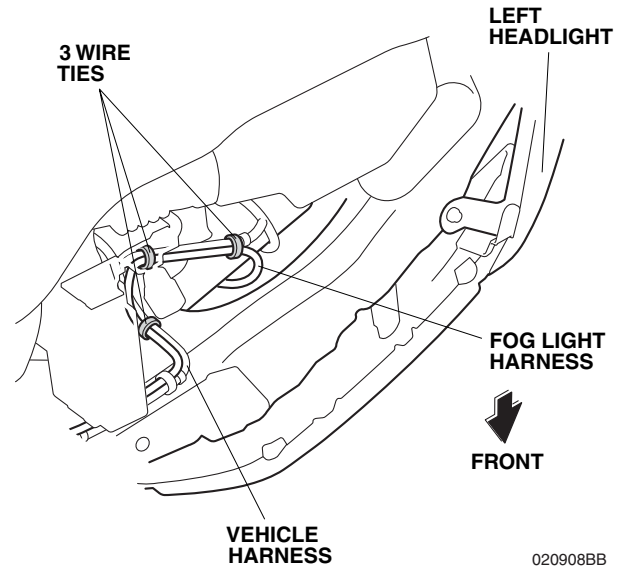
Without vehicle harness or other accessory harness

25. Secure the green tape on the fog light harness to the vehicle panel with one wire tie with clip.

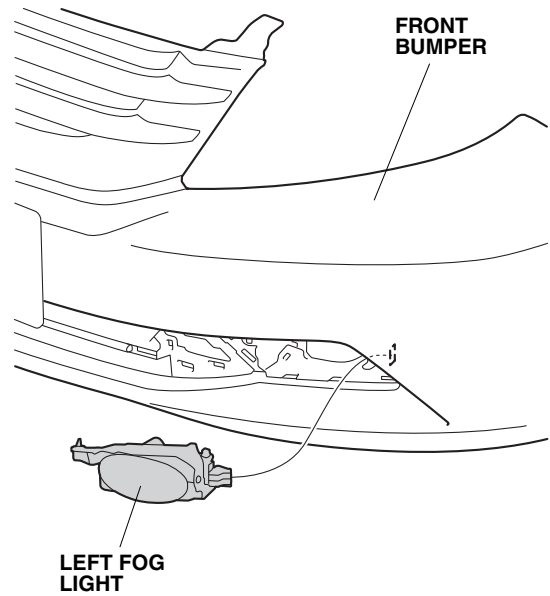


26. Secure the fog light harness to the vehicle harness with one wire tie.

27. Secure the fog light harness to the vehicle harness with three wire ties.

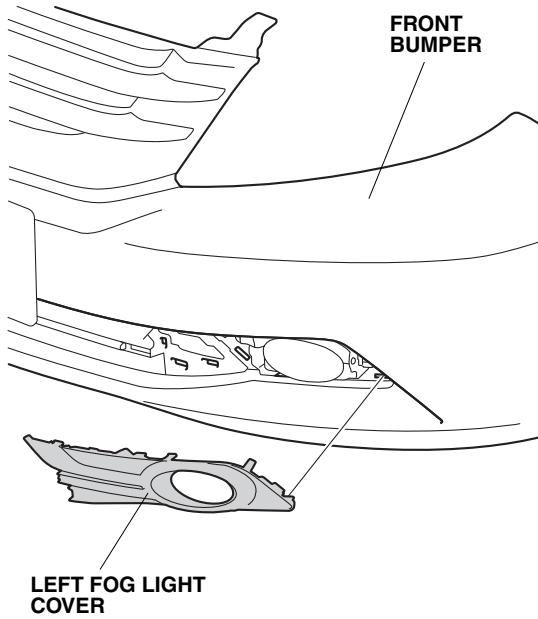


28. Install the left fog light to the front bumper.



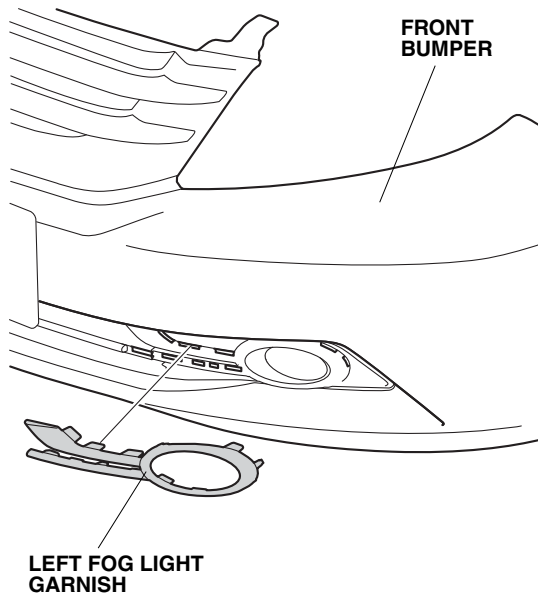


29. Install the left fog light cover.



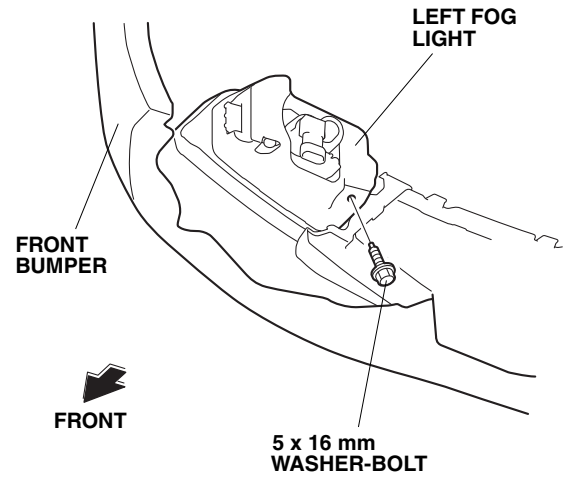
QC10830AY

30. Install the left fog light garnish.



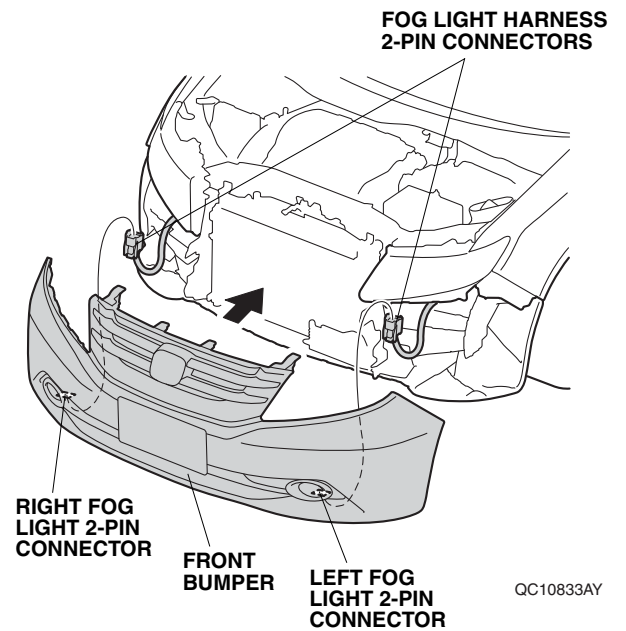
QC10831AY

31. Secure the left fog light to the front bumper with one 5 x 16 mm washer-bolt.



QC10832AY

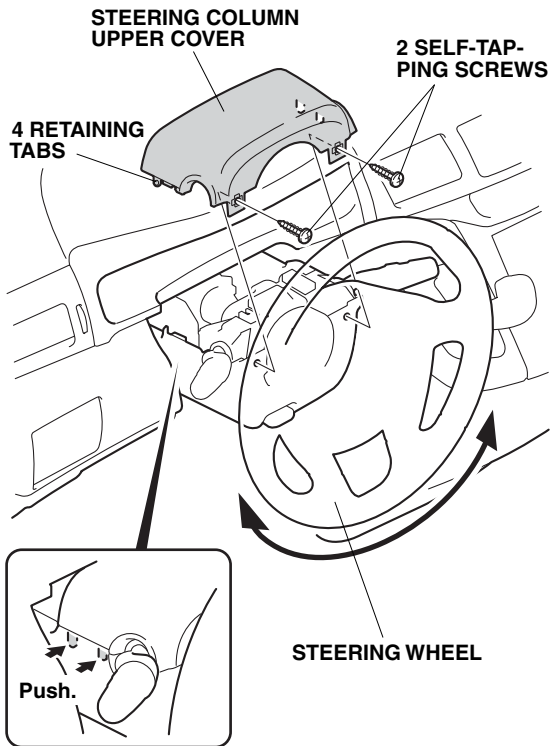
32. Repeat steps 28 through 31 on the right side of the vehicle.
33. With the help of an assistant, bring the front bumper close to the vehicle, and plug in the fog light harness 2-pin connectors. Reinstall the front bumper.



QC10833AY

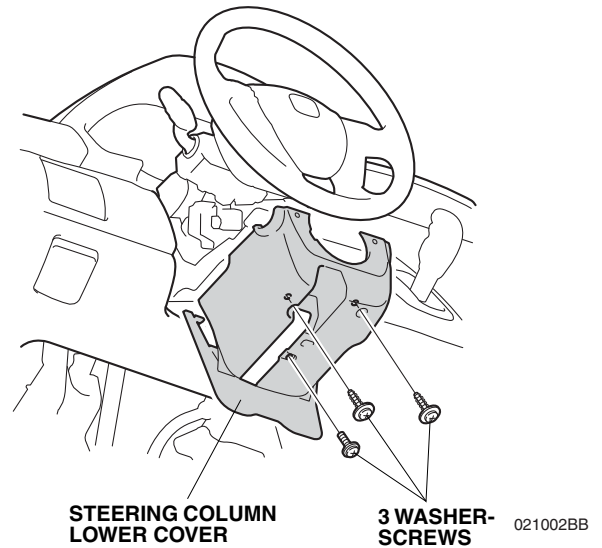
## Removing the Vehicle Parts (inside)

34. Lower the tilt lever and pull down the steering wheel.



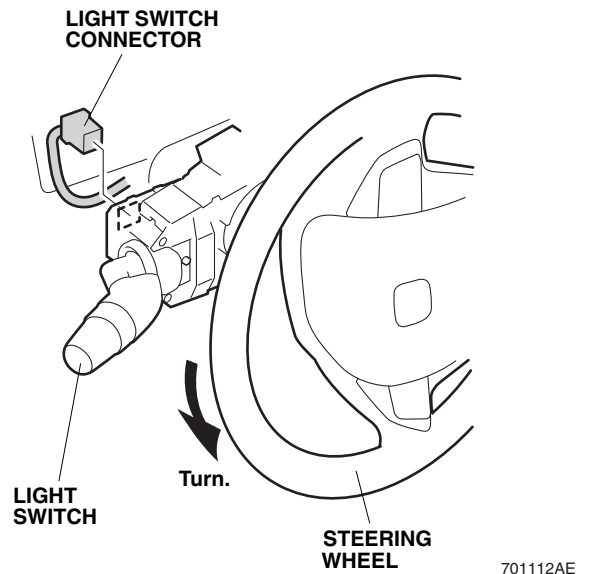
35. Remove the steering column upper cover (two self-tapping screws and four retaining tabs).  
NOTE: Adjust the angle of the steering wheel (right or left) to access each self-tapping screw.

36. Remove the steering column lower cover (three washer-screws).

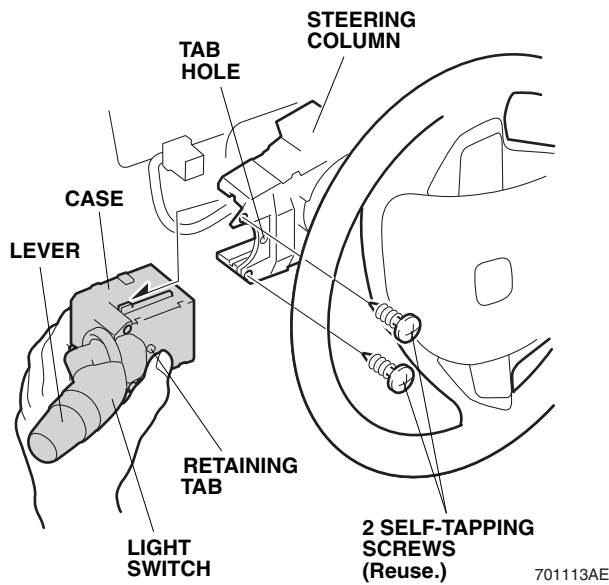


## Installing the Light Switch

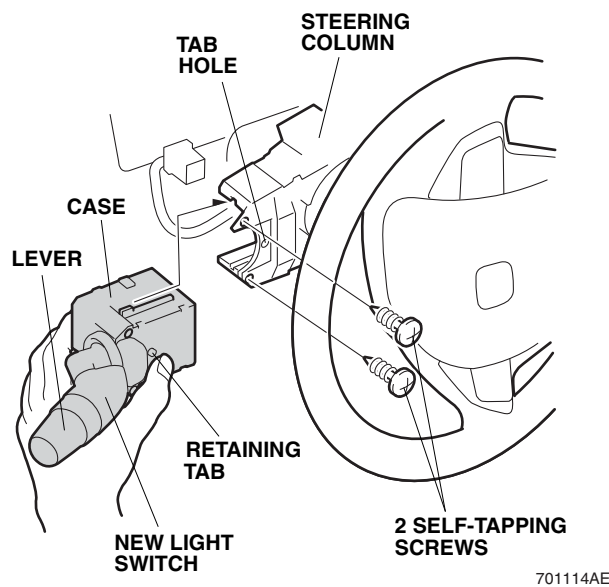
37. Turn the steering wheel counterclockwise. Unplug the light switch connector from the light switch.



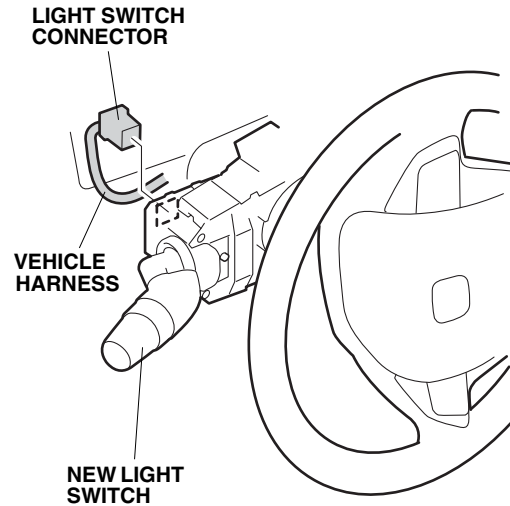
38. Remove two self-tapping screws from the light switch. While pushing the retaining tab, slide the light switch, and remove it from the steering column. Do not pull on the lever when removing the case. NOTE: Do not damage the tab hole on the steering column.



39. Install the new light switch to the steering column with two self-tapping screws removed in step 38. NOTE: Do not push on the lever when installing the case. Push in on the case and set the retaining tab into the tab hole.



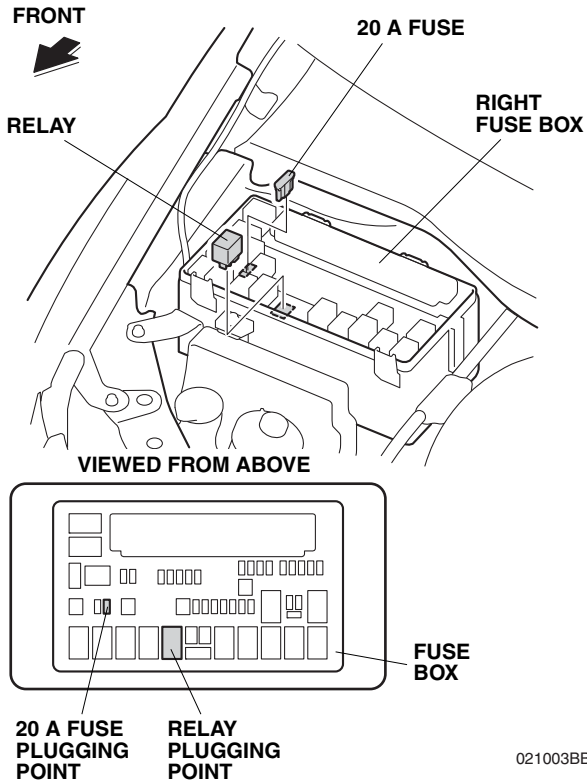
40. Plug the light switch connector into the new light switch. Make sure the vehicle harness is not being stretched.



701115AE

## Installing the Fuse and Relay

41. Plug the relay and the 20 A fuse into the right fuse box.

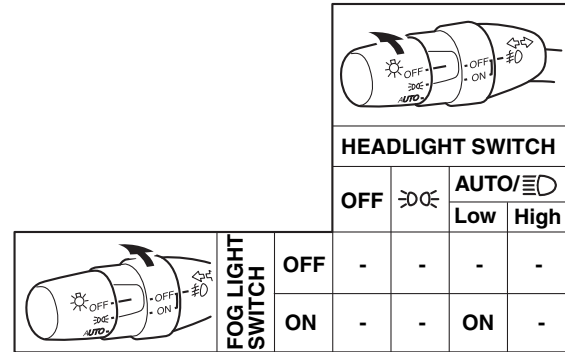


021003BB

42. Check that all wire harnesses are routed properly and all connectors are plugged in.
43. Reinstall all removed parts.
44. Reconnect the negative cable to the battery.
45. Reset the clock on vehicle without navigation.

## Check the Operation of the Fog Light

- Turn the headlight switch to the AUTO or “ $\equiv$ ” position (headlights on low beam).
- LX model has no “Auto Light” function.
- Turn on the fog light switch (indicator is on).
- If the fog lights do not turn on, check the fuse and all the connectors, including the ground cable.

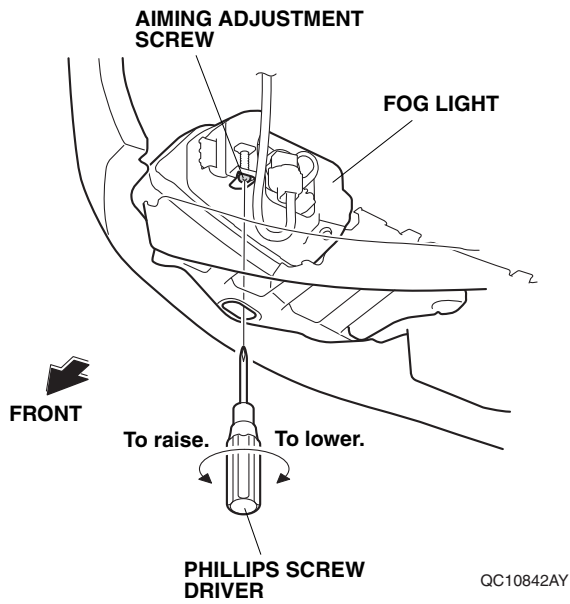


922602AG

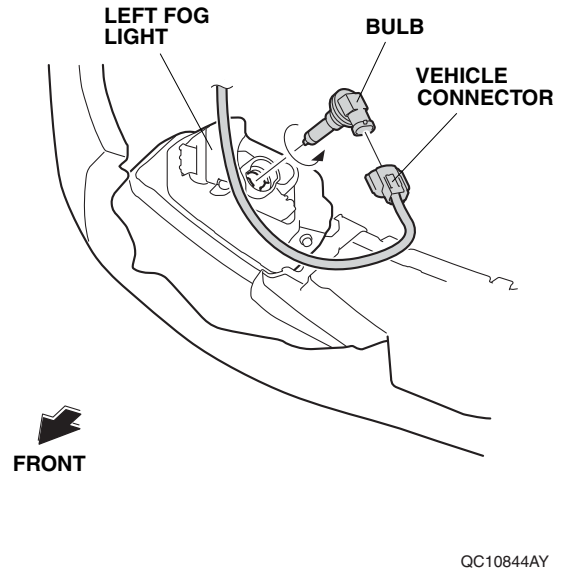
**NOTE:** The fog light lenses may cloud when the outside temperature is cold; this is normal and should go away in warm weather.

## How to Aim the Fog Lights

- To adjust, turn the adjustment screw in or out until the correct aim is obtained.
- Adjust the aim according to local laws and regulations.

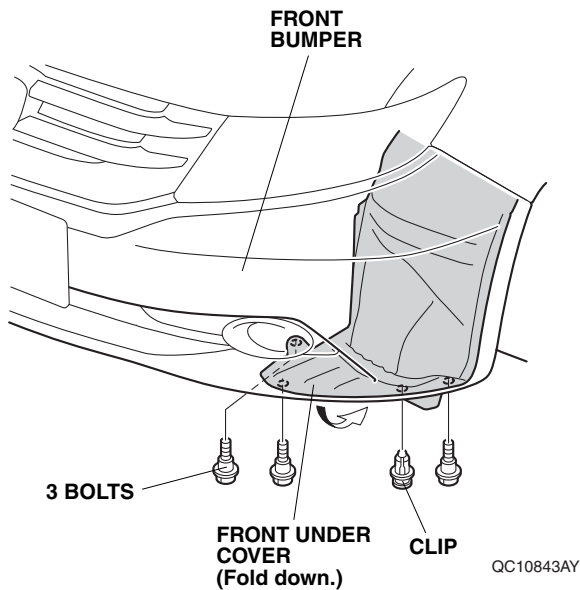


2. Insert your hand inside the under cover, and unplug the vehicle connector from the left fog light. Remove the bulb.



## BULB REPLACEMENT

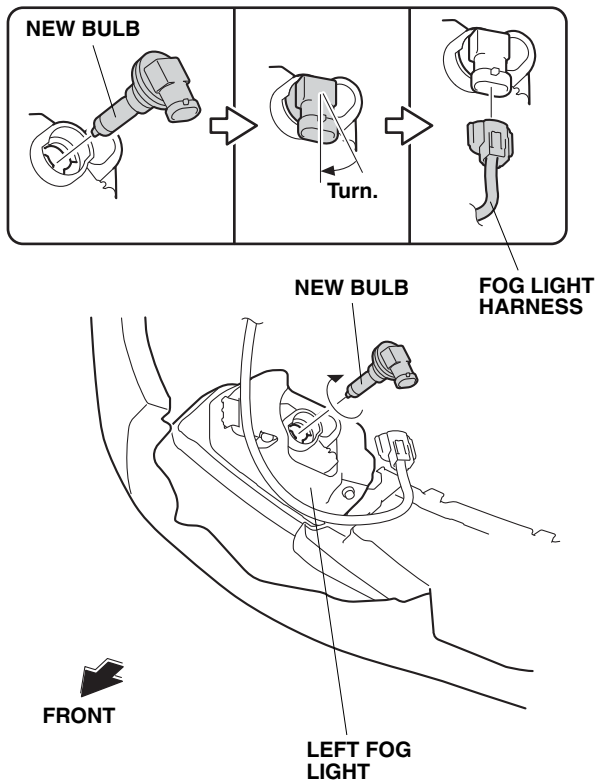
1. Remove three bolts and one clip, and gently fold down the front under cover.



3. Install the new bulb to the fog light.
  - Use only a Genuine Honda halogen light bulb of specified wattage.

Rating: 12V 55W H11 Halogen Light Bulb  
P/N33165-S5A-0030

- Do not touch the bulb. Oily or greasy substances on the bulb can shorten its service life due to the heat produced when the bulb is turned on. If the bulb is accidentally touched, wipe it clean with a soft cloth that has been dampened with denatured alcohol or a mild detergent solution.
- When installing the new bulb, align the cutout on the fog light with the tab on the new bulb and turn the new bulb clockwise until it locks. If the bulb is not properly align the fog light may annoy oncoming drivers.



QC10845AY

4. Reinstall the removed parts in the reverse order of removal.
  - Check that the wire harness are not pinched.
  - Be sure to tighten the clip and bolts securely.
5. Check the operation of the fog light; re-adjust the aiming if necessary.